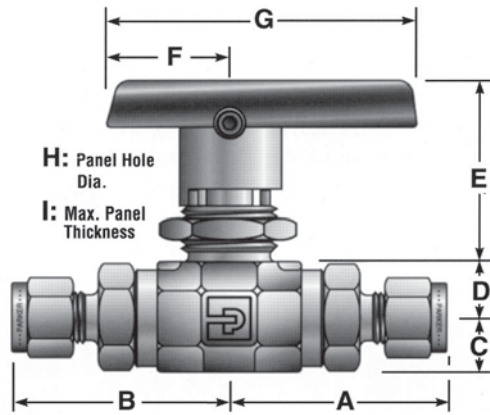


Dimensions & Flow Data



**Model Shown:
4A-B6LJ-SSP**

Port Size	Basic Part #	Flow Data				End Connections		Dimensions Inches (mm)								
		Orifice		Cv	X _T *	Port 1	Port 2	A†	B†	C	D	E	F	G	H	I
		Inch	mm													
1A	B2L	0.052	1.3	0.06	0.45	1/16" A-LOK®	1.30	1.30	0.33 (8.4)	0.33 (8.4)	0.94 (23.9)	0.75 (19.1)	1.88 (47.8)	0.58 (14.7)	0.13 (3.3)	
1Z						1/16" CPI™	(33.0)	(33.0)								
2A		0.093	2.4	0.21	0.47	1/8" A-LOK®	1.36	1.36								
2Z						1/8" CPI™	(34.5)	(34.5)								
2F		0.165	4.2	0.93	0.43	1/8" Female NPT	1.07	1.07								
2M		0.165	4.2	0.93	0.43	1/8" Male NPT	1.18	1.18								
4A		0.165	4.2	0.93	0.43	1/4" A-LOK®	1.48	1.48								
4Z						1/4" CPI™	(37.6)	(37.6)								
4M		0.165	4.2	0.93	0.43	1/4" Male NPT	1.35	1.35								
M3A		0.086	2.2	0.18	0.44	3mm A-LOK®	1.37	1.37								
M3Z						3mm CPI™	(34.8)	(34.8)								
4A		B6L	0.187	4.7	1.04	0.42	1/4" A-LOK®	1.74								1.74
4Z	1/4" CPI™						(44.2)	(44.2)								
4F	0.250		6.4	2.34	0.29	1/4" Female NPT	1.51	1.51								
4M	0.250		6.4	2.34	0.29	1/4" Male NPT	1.62	1.62								
4V	0.188		4.8	1.04	0.42	1/4" VacuSeal	1.75	1.75								
6A	0.250		6.4	2.34	0.29	3/8" A-LOK®	1.80	1.80								
6Z						3/8" CPI™	(45.7)	(45.7)								
6M	0.250		6.4	2.34	0.29	3/8" Male NPT	1.62	1.62								
M6A	0.187		4.7	1.04	0.42	6mm A-LOK®	1.75	1.75								
M6Z						6mm CPI™	(44.5)	(44.5)								
M8A	0.250		6.4	2.34	0.42	8mm A-LOK®	1.78	1.78								
M8Z						8mm CPI™	(45.2)	(45.2)								
M10A	0.250	6.4	2.34	0.42	10mm A-LOK®	1.81	1.81									
M10Z					10mm CPI™	(46.0)	(46.0)									
6F	B8L	0.406	10.3	6.42	0.37	3/8" Female NPT	1.95	1.95	0.69 (17.5)	0.70 (17.8)	1.74 (44.2)	1.50 (38.1)	4.00 (101.6)	0.90 (22.9)	0.38 (9.7)	
8F						1/2" Female NPT	2.15	2.15								
8A		0.406	10.3	6.42	0.37	1/2" A-LOK®	2.34	2.34								
8Z						1/2" CPI™	(59.4)	(59.4)								
8M		0.406	10.3	6.42	0.37	1/2" Male NPT	2.22	2.22								
8V		0.406	10.3	6.42	0.37	1/2" VacuSeal	2.21	2.21								
12A		0.406	10.3	6.42	0.37	3/4" A-LOK®	2.33	2.33								
12Z						3/4" CPI™	(59.2)	(59.2)								
12F		0.406	10.3	6.42	0.37	3/4" Female NPT	2.25	2.25								
M12A		0.375	9.5	5.57	0.37	12mm A-LOK®	2.33	2.33								
M12Z						12mm CPI™	(59.2)	(59.2)								
M16A		0.406	10.3	6.42	0.37	16mm A-LOK®	2.33	2.33								
M16Z	16mm CPI™					(59.2)	(59.2)									

* Tested in accordance with ISA S75.02. Gas flow will be choked when $P_1 - P_2 / P_1 = x_T$.
 † For CPI™ and A-LOK®, dimensions are measured with nuts in the finger tight position

Dimensions in inches/millimeters are for reference only, subject to change.

